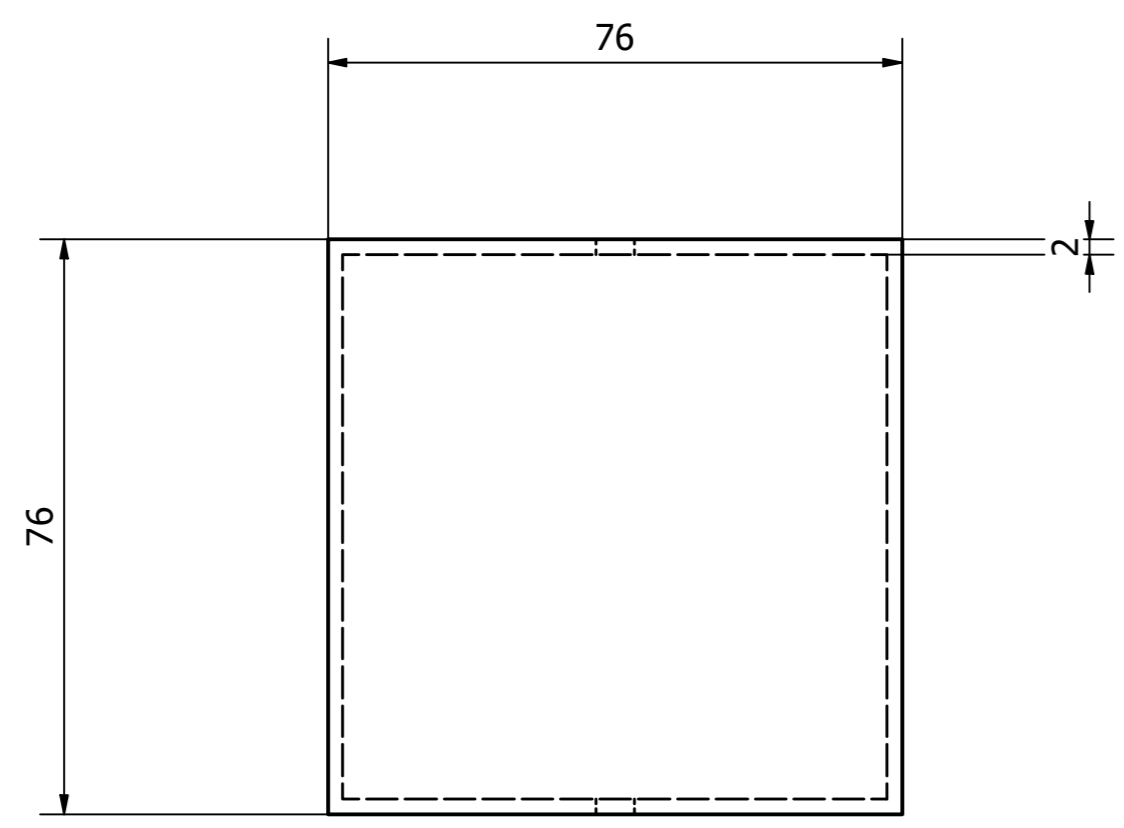
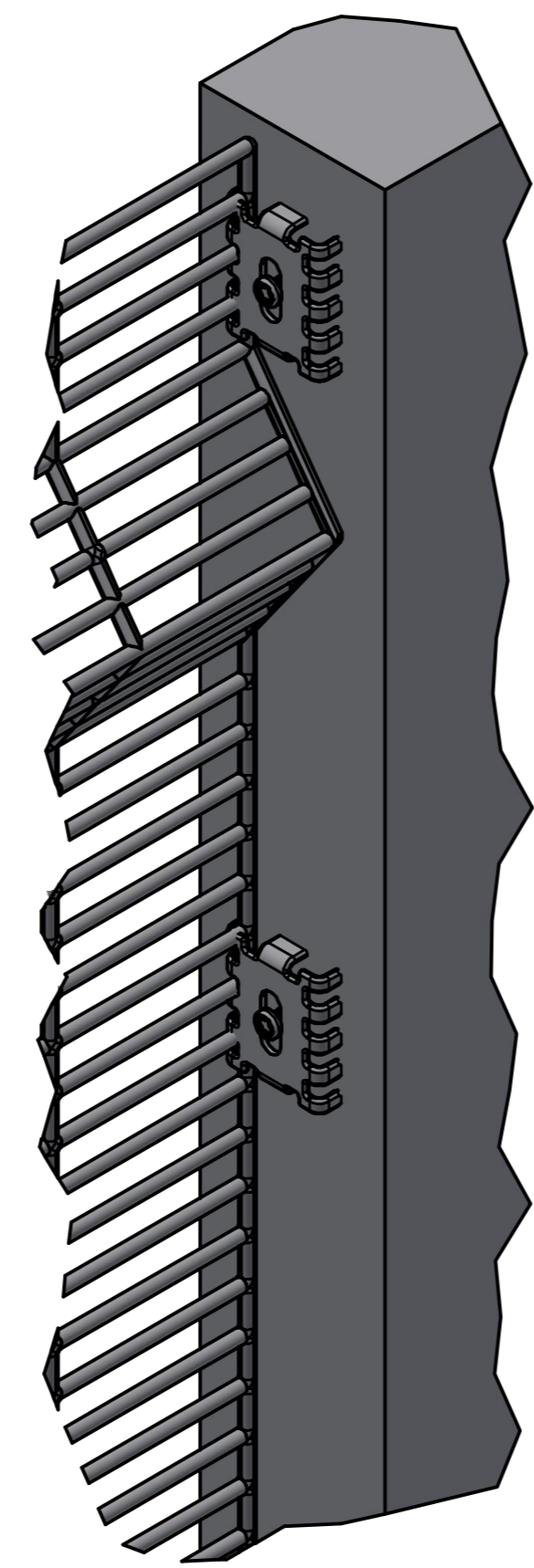


40 X 40X 5 THK  
SPIDER CLAMP



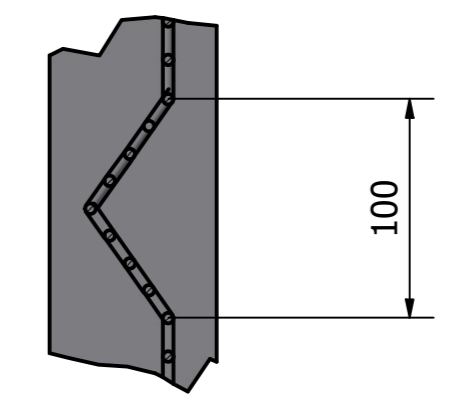
SQ Tubing 76 X 76 X 2 THK



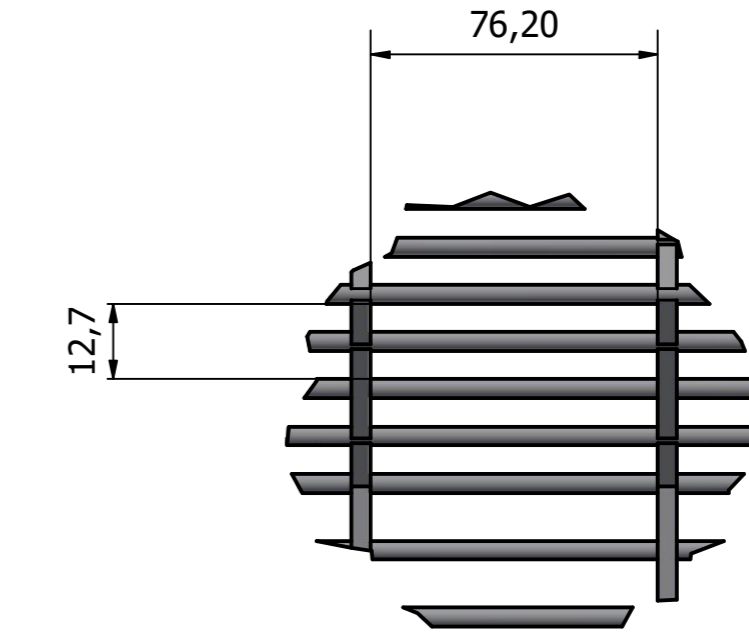
CLAMP DETAIL



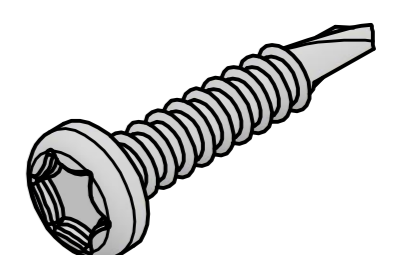
SPIDER CLAMP  
ASSEMBLY



V BEND SIZE



MESH SIZE



Self Drilling Screw

PARTS LIST			
ITEM	QTY	PART NUMBER	DESCRIPTION
3	1	CONCRETE BLOCK	
4	8	SPIDER CLAM ASSY	
5	1	MESH-PANNEL	
6	1	76x76x2 Tubing	
7	1	76x76x2 Tubing	
8	1	CONCRETE BLOCK	
9	8	SPIDER CLAM ASSY	



Designed by Jurgens	Checked by Weber	Approved by Weber	Date 2024/03/06	Date 2024/03/06	Sheet 1 / 1
------------------------	---------------------	----------------------	--------------------	--------------------	----------------